

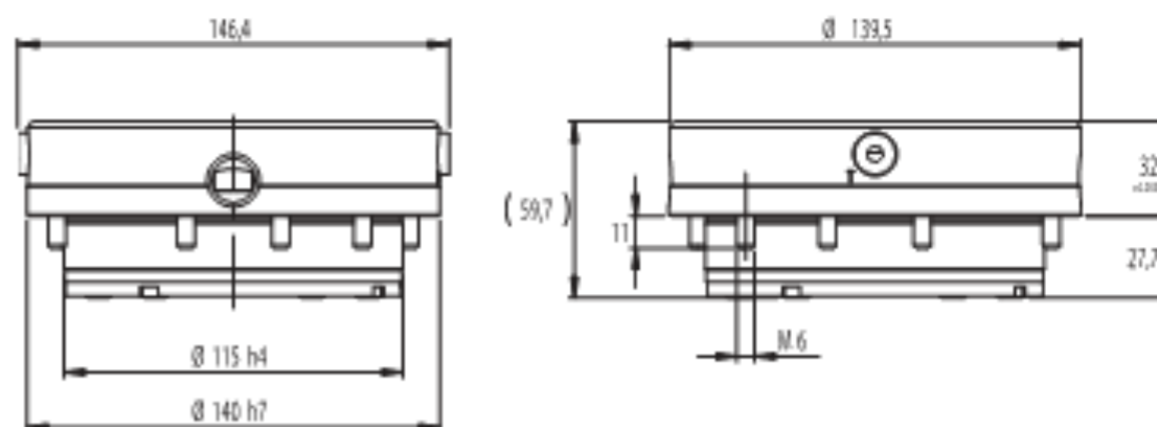
MODULES APS-140 E BASIC

ITEM: C8020

For external mounting.

Tech. Code	C8020140B	
Clamping force	N	12.000
Holding force*	N	M10/35.000 - M12/50.000 - M16/75.000
Unlocking pressure	bar	6
Repeatability	mm	< 0,005
Weight	Kg	4,5

* With screws DIN EN ISO 4762 - 12.9



CLAMPING PINS APS-140

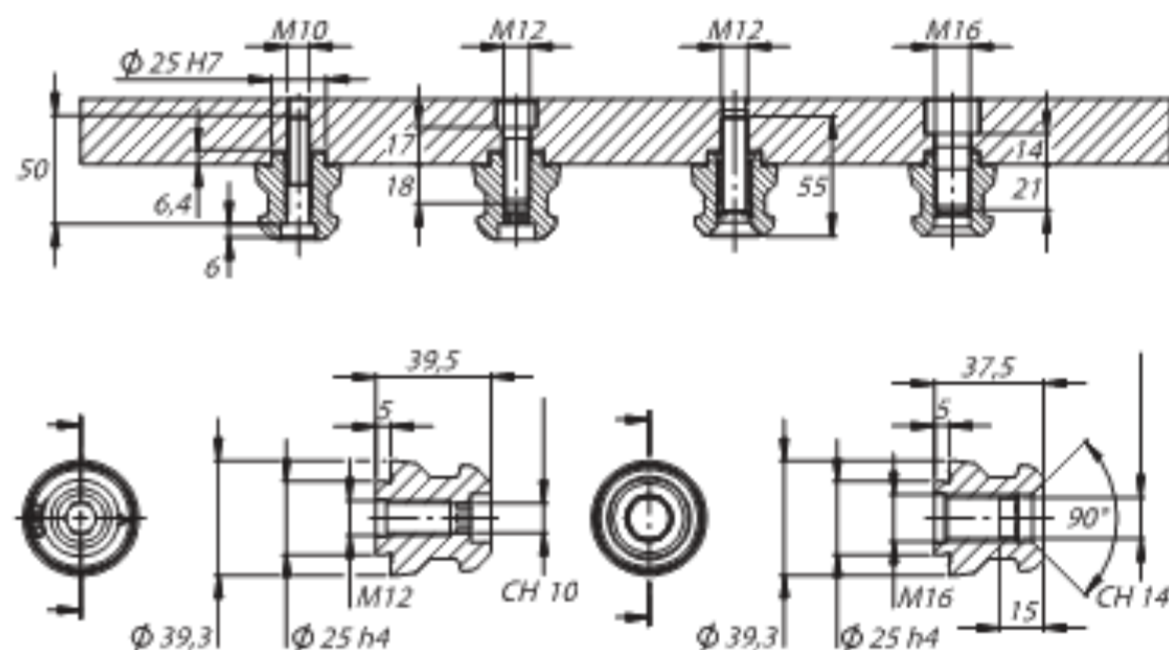
ITEM: C8030

With special anti-corrosion and anti-friction treatment.

Tech. Code	C8030M12A	C8030M12B	C8030M12C
MODEL	M12-A	M12-B	M12-C
Weight	Kg	0,3	

Tech. Code	C8030M16A	C8030M16B	C8030M16C
MODEL	M16-A	M16-B	M16-C
Weight	Kg	0,3	

Type A: centering pin
Type B: reference pin
Type C: pull down pin



Related products

WODEX COMBINATION RATCHET WRENCHES 144T IN SET

Tech. Code	Pieces
E019605	5

The products are available in chapter E